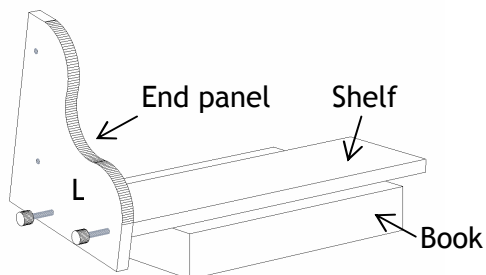


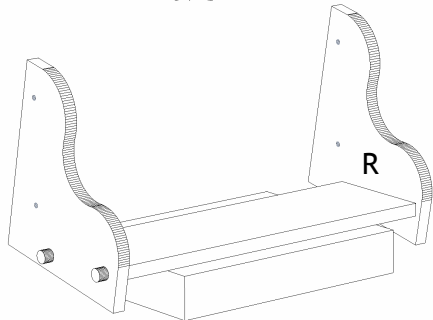
Book Rack Assembly Instructions

Contents:

2 End Panels (L & R)
1 Shelf - 130mm wide
1 Back - 150mm wide
8 Beech Headed Bolts

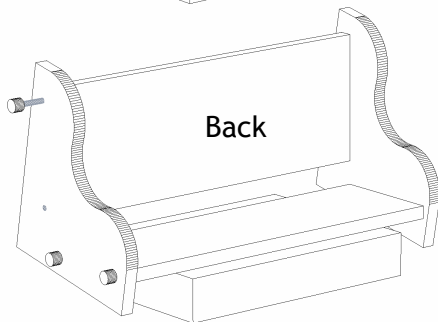


Place the **Shelf** (the narrower of the 2 boards) face up on a thick book on a level surface so the ends of the shelf overhang the book.

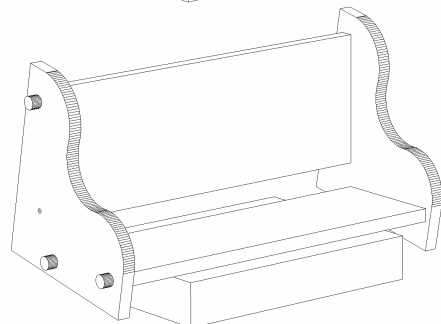


Insert **Beech Headed Bolts** in each of the 2 lower holes of one of the **end panels** and screw them loosely into the threaded fittings in the end of the **shelf**.

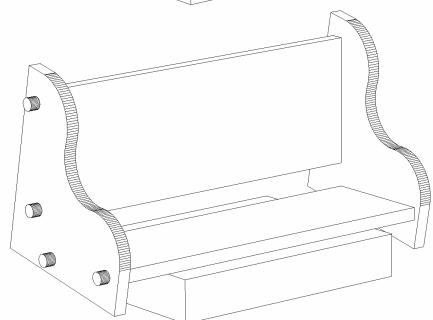
Repeat for other end.



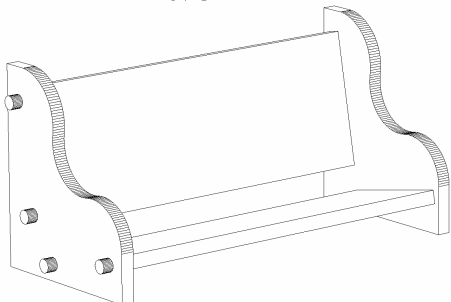
Locate **Beech Headed Bolts** in each of the top holes of the **end panels** (but not so far in that the bolt ends pass through the panel). Bring the **back** between the ends, roughly where it will reside, push the **Beech Headed Bolts** in to locate the **back**.



Secure it with a few turns of the **Beech Headed Bolts**.



Insert **Beech Headed Bolts** into the lower holes of the **end panels** and screw them into the threaded fittings in the end of the **back**.



Stand Shelf/end panel assembly on a level surface.

Screw up all the **Beech Headed Bolts** but do not tighten. Check that the assembled Book Rack sits level on the surface and tighten each **Beech Headed Bolt** finger tight.